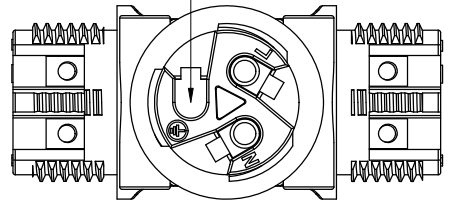


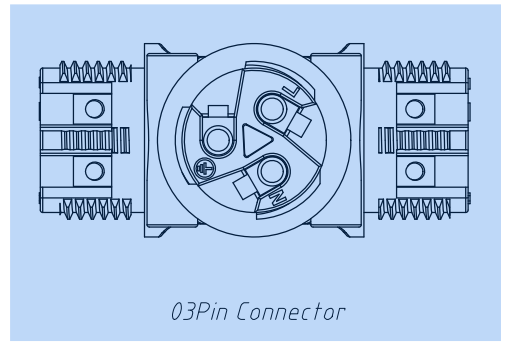
1
RoHS Compliance

REV	SYM	Revision Record	Appr.	Date
V0		New Version Release	Jenny	2024-06-17

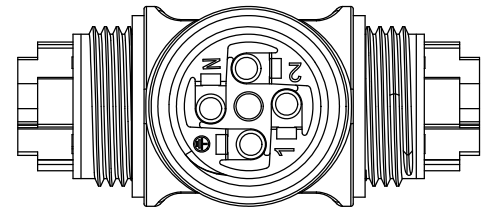
Earth Wire Hole No Copper



02Pin Connector



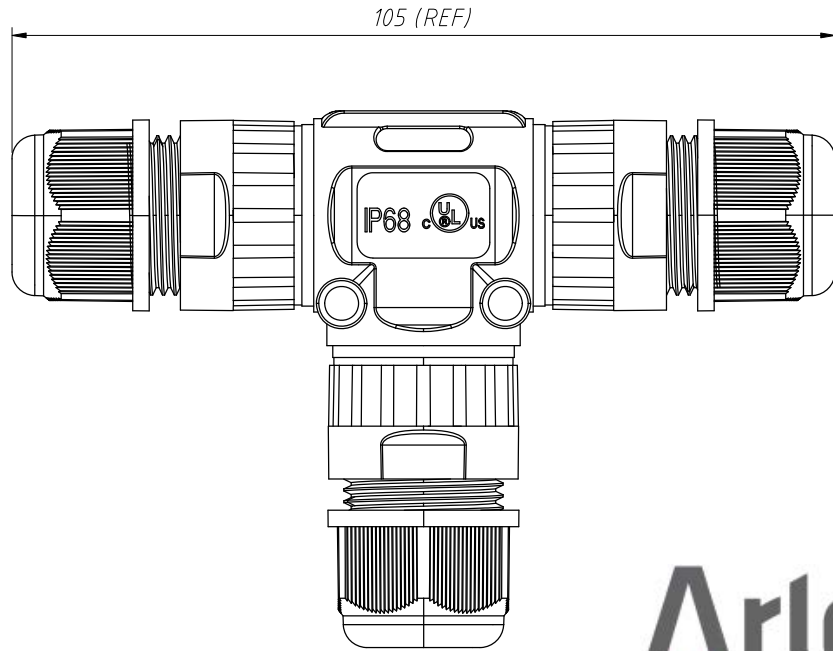
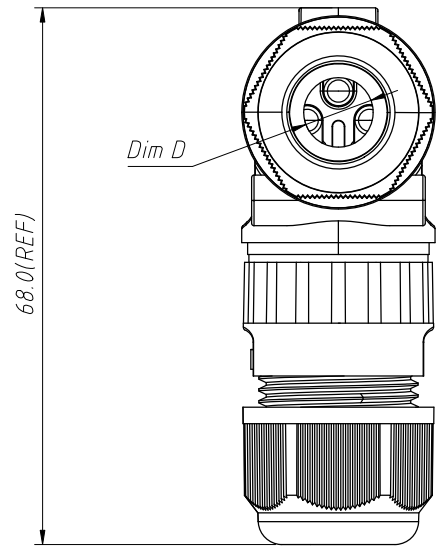
03Pin Connector



04Pin Connector

Material:
 Housing: PA66, UL 94 V-0, Black
 Contact: Copper Alloy, Nickel plated
 IP rating: IP68
 Number of poles: 2P/3P/4P

Electrical:
 Rated current: 24A
 Rated voltage: AC 450V
 Withstand voltage: AC 2500V
 Wire section: 0.5~2.5mm²
 Operating temperature: -40°C~+105°C
 Certification: UL/CQC/RoHS/CE/TUV/SAA



Order Information:
WPPO-M9-12(3P)-B

L: RoHS
 Waterproof connectors
 Serial Number
 M20 Waterproof
 Circular Connectors
 Number of poles
 Line diameter range:
 B-9~12mm



$\phi 11.5mm$	$\phi 9-12mm$
$\phi 8.5mm$	$\phi 5-9mm$
Rubbers Diameter D	Outer Cable Diameter

ANGLE TOLERANCE	PROJECTION	Description:	M20 Waterproof Circular Connectors, IP68, Screw Locking Type
$\pm 3^\circ$			
GENERAL TOLERANCE	UNITS	mm	P/N:
x. ± 0.35	SHEET SIZE	A4	
x.x ± 0.20	Draw:	Jenny	2024-06-17
x.xx ± 0.10	Check:	Daniel	2024-06-17

WPPO-M9-12-B