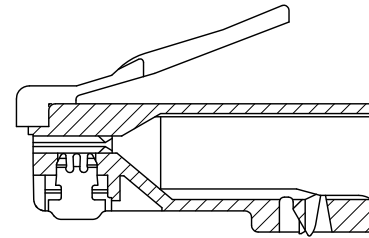
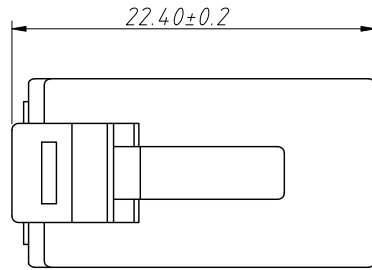


1 RoHS Compliance



SECTION A-A

Material:
Housing: Polycarbonate, Transparent
UL 94 V-0 or UL 94 V-2
Contact: Brass, Gold Plating

Electric:
Rated Current: 125 V AC, 1.5A@25°C
Contact Resistance: 20mΩ Max.
Insulation Resistance: 500MΩ Min, 100V DC/min
Withstand voltage: 1000V AC/1 minute
No Breakdown

Mechanical:
Insertion Force: 30N Max.
Withdrawal Force: 30N Max.
Durability: 750 Cycles Min.
Operation Temperature: -40°C ~ +85°C

ORDER INFORMATION:
RJ45M-CAT6/U

RoHS

Point No.

Gold Plating:

01-Fu" gold plating

02-3u" gold plating

03-6u" gold plating

15-15u" gold plating

30-30u" gold plating

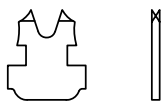
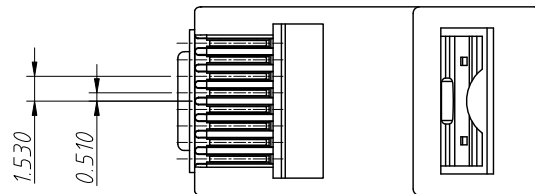
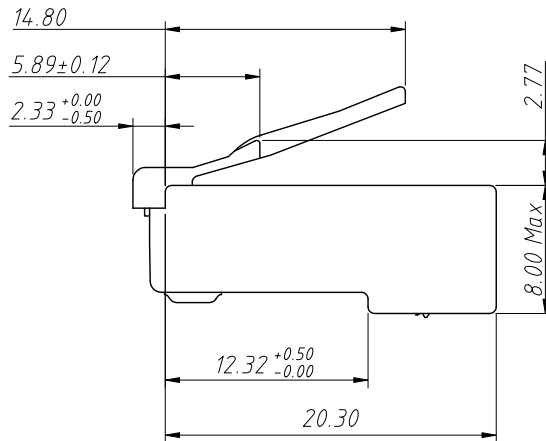
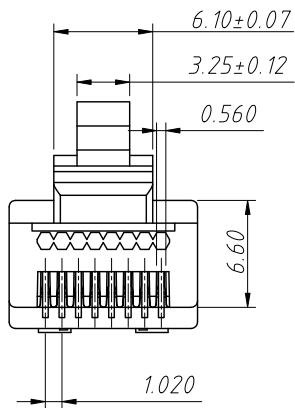
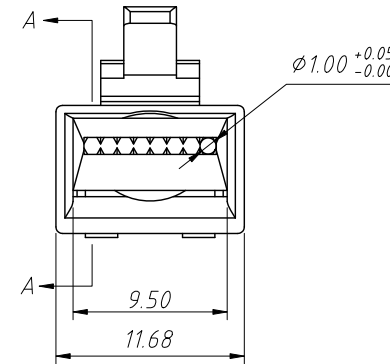
50-50u" gold plating

BLADE type:

Flammability:

Blank - UL 94 V-2

0 - UL 94 V-0



Type A



Type D

BLADE Type

ANGLE TOLERANCE	PROJECTION	Description:
±2°		UTP CAT6 8P8C Modular plugs for front Cable
GENERAL TOLERANCE	UNITS	mm
x.x ±0.20	SHEET SIZE	A4
x.xx ±0.10	Draw:	Daniel 2023-06-10
x.xxx ±0.05	Check:	Daniel 2023-06-10

