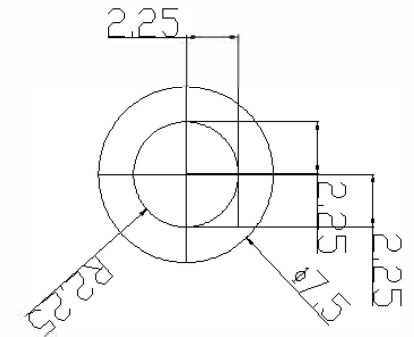
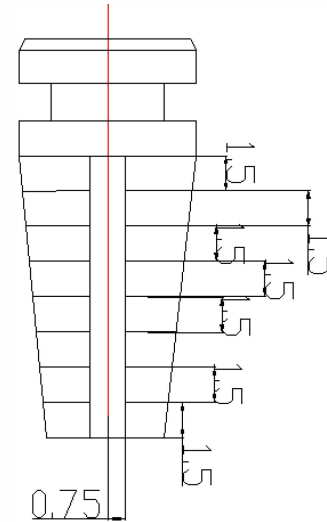
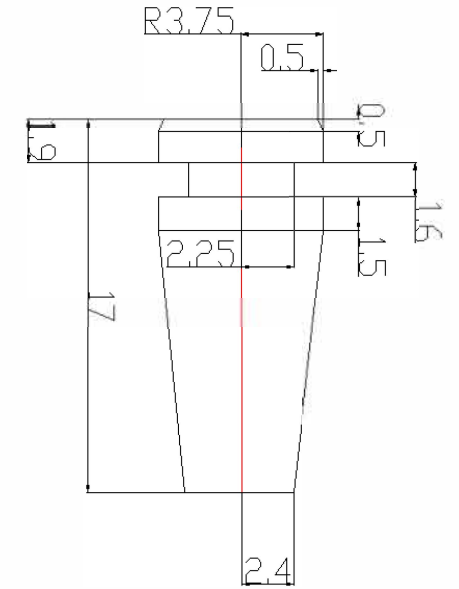
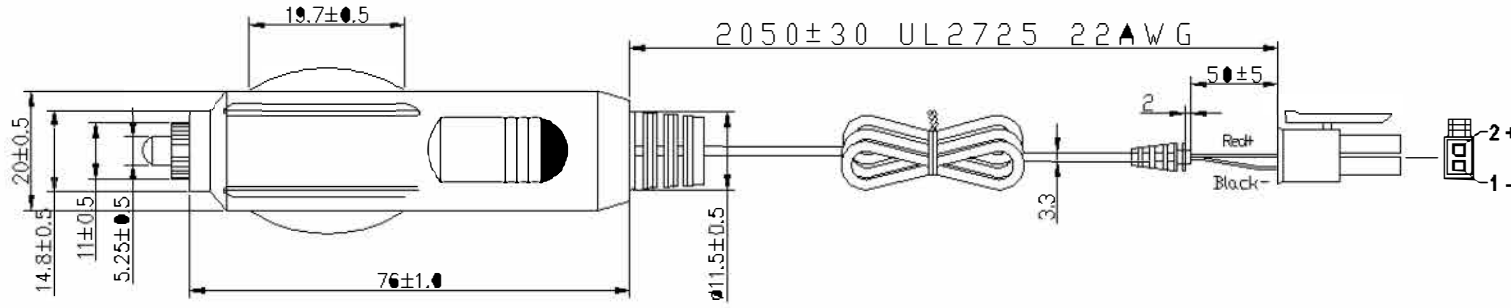


RoHS Compliance



1. SCOPE:

The car carry power supply the functional requirements of a 24 W max switching power supply.

2. INPUT CHARACTERISTICS:

2.1 Input Voltage: 12-24 Vdc

3. OUTPUT CHARACTERISTICS:

3.1 Power output

Voltage: 12Vdc ; Min. Load: 0.00A ; Rated. Load: 2A ; Output max power: 24W

4. Environmental Requirement:

4.1 Operating Temperature:  $-40^{\circ}\text{C}$  to  $60^{\circ}\text{C}$  , Full load, Normal operation.

4.2 Storage Temperature:  $-40^{\circ}\text{C}$  to  $80^{\circ}\text{C}$  , With package

4.3 Relative Humidity:

$25\%(0^{\circ}\text{C}) \sim 75\%(40^{\circ}\text{C})\text{RH}$ , 72Hrs, Full load, Normal operating.

5. Protection Function:

5.1 Over current Protection:

Fuse: 3A. The power supply will stop working when over current occurs.

It will not recover to work until the old fuse has been replace by a new one.

6. Mechanical Requirement:

6.1 Enclosure: The power supply size: L 75xW 20mm

ANGLE TOLERANCE	PROJECTION	Description:
$\pm 3^{\circ}$		Switching power Supply, Color: Black White
GENERAL TOLERANCE	UNITS	mm
x.x	$\pm 0.30$	SHEET SIZE
x.xx	$\pm 0.20$	A4
x.xxx	$\pm 0.10$	Draw: Daniel 2020-11-11
	Check: Daniel 2020-11-11	

PL-AU10

Arlex®