



Features

- Installation aperture: $\Phi 22\text{mm}$
- Button material: DT22A series are plastic buttons: DT22M series are metal buttons
- Self-locking connection without fasteners, reliable contact, efficient disassembly and assembly
- The product has strong anti-impact and anti-vibration performance, and is suitable for use in all kinds of harsh environment
- The products meet the standards such as IEC60947-5-1GB/T14048.5
- The highest protection level can reach IP65

Main Technical Parameters

Working environment temperature	-25°C~+55°C (no freezing)
Working environment humidity	45-85%RH
Contact resistance	$\leq 50\text{m}\Omega$
Insulation resistance	$\geq 100\text{m}\Omega$
Power frequency withstand voltage	1890VAC / 50Hz / 60s
Vibration resistance	The amplitude is about 1.0mm / 50Hz
Impact resistance	> 10g

Mechanical life	Momentary button	3,000,000 times
	Selector, Key-lock Switch	500,000 times
	Emergency push button	300,000 times
Electrical life		200,000 times
Wiring		Screw connection, wire diameter: 2x1.5mm Maximum wiring plug 6.3x 0.8mm

Lamp Bead Specification

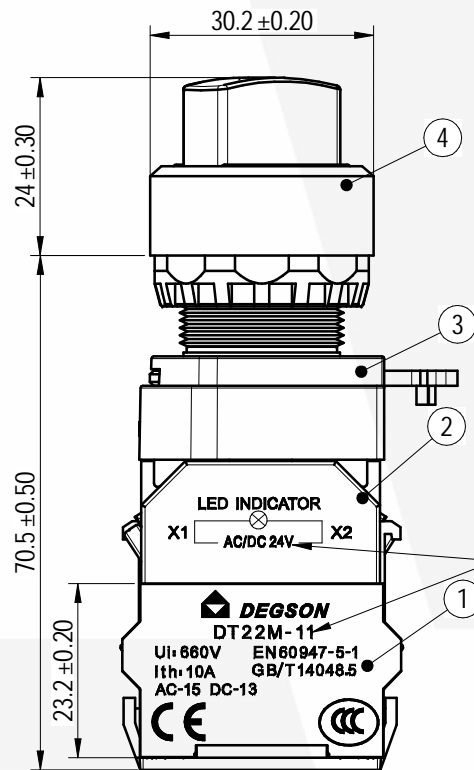
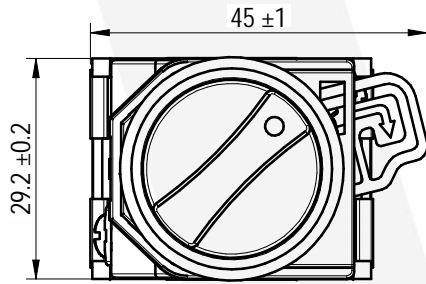
Types of lamp beads	Bi-directional LED lamp beads		
Rated voltage	AC/DC 6V	AC/DC 12V	AC/DC 24V
	AC/DC 36V	AC/DC 48V	AC/DC 110V
	AC/DC 220V	AC/DC 380V	/
	AC 110V	AC 220V	AC 380V
Lamp color	Red Green Yellow Blue White		
Service Life	$\geq 40000\text{h}$		

Switch Rating

Rated insulation voltage U_i	660V						
Conventional heating current I_{th}	10A						
Rated operating voltage U_e	24V	48V	110V	220V	380V		
Rated working current I_e	AC 50/60Hz	Resistive load	10A	/	10A	10A	/
		Inductive load	10A	/	6A	3A	2A
	DC	Resistive load	8A	4A	2.2A	1.1A	/
		Inductive load	6A	2A	1.2A	0.6A	/
Contact material	Silver alloy						
Minimum adaptive load: 3V AC/DC5mA (Reference value) (available depending on the environment and load type)							



未注公差/General tolerances (mm)												0.1/10 ±2'	
0 ~ 3	>3 ~ 6	>6 ~ 10	>10 ~ 18	>18 ~ 30	>30 ~ 50	>50 ~ 80	>80 ~ 120	>120 ~ 180	>180 ~ 250	>250 ~ 315	>315 ~ 400		>400 ~ 500
±0.12	±0.18	±0.22	±0.26	±0.31	±0.37	±0.57	±0.80	±0.93	±1.05	±1.15	±1.60	±2.20	±2.50



Print content with the name of the product

Arlex SA, Humberto I 2848 (1231) CABA, Tel: +54 3984-8240
www.arlex.com.ar

(Series No.) DT22M - SXXD X / Y AC/DCZV

(Voltage grade):
AC/DC: 6/12/24/36/48/
110/220V
AC: 110/220/380V

(Color): RD: (Red)
GN: (Green)
YE: (Yellow)
WH: (White)
BU: (Blue)

(Contact form): 10: 1N0
01: 1NC
11: 1N01NC

(Type of actuator): S2RD: selector 2 switch reset indicator
S2LD: selector 2 switch lock indicator
S3RD: selector 3 switch reset indicator
S3LD: selector 3 switch lock indicator

ITEM	NAME OF PART	MATERIAL	NOTES
4	Button head	/	/
3	Holding screw	/	/
2	Resistance module	/	/
1	Contact module	/	/

使用温度范围/Operating temperature (°C)	-25~+55(无冰冻)
使用湿度范围/Operating humidity (%RH)	45~85
接触电阻/Contact resistance (mΩ)	≤50
绝缘电阻/Insulation resistance (mΩ)	≥100
工频耐压/Power frequency withstand voltage	1890VAC/50Hz/60s
耐振动性/Vibration resistance	振幅约1.0mm/50Hz
耐冲击性/Shock resistance	>10g
机械寿命/Mechanical life	≥50万次
电气寿命/Electrical life	≥20万次
接线/Connection	螺钉连接, 线直径: 2x1.5mm 最大界限插片 6.3x0.8mm
符合RoHS环保要求/Conform to RoHS	Yes
标准颜色编号/Standard color number: PANTONE / RAL	/

MATERIAL:		SURFACE/COLOR:	
APPD: 李根旁	2022.10.12	MAT NO./REV:	/ 00
CHKD: 马恩开	2022.10.12	MAT STATUS:	小批量
DRFT: 马恩开	2022.10.12	NAME	
DRAWING NO.		DT22M-S2RD11-RDAC-220V	
TYPE		DRAWING STATUS	
CUSTOMER DRAWING		work	
SCALE		SHEET	
1:1		1/1	

REV	ECN	DESCRIPTION	DRFT	DATE
00		New Drawing	马恩开	2022.10.12

Transfer or duplication of this document as well as the utilization or communication of its contents are prohibited unless authorized in general. All rights reserved for patent. Utility model or design registrations. 除专利、实用新型、外观设计、发明专利、软件著作权、集成电路布图设计专有权、商业秘密、技术秘密等权利外，本公司保留对涉及发明、实用新型或外观设计的所有权利。